

# 2

## Essential Safety Equipment

*Personal safety and comfort are what make driving your Mazda a pleasurable experience. Section 2 describes essential information for optimal safe driving including seats, seat belt systems, and the supplemental restraint system.*

Seats	2- 2
Seat Belt System	2- 3
Child Restraint	2- 9
Supplemental Restraint System	2-14

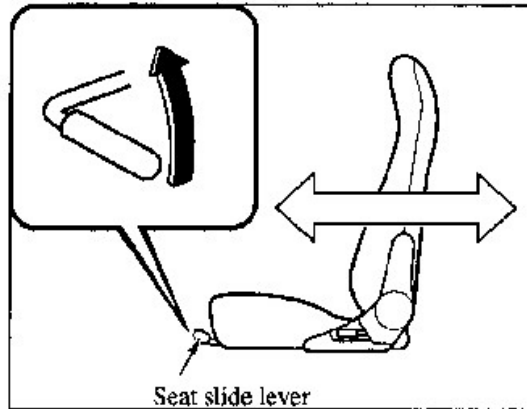
## Essential Safety Equipment

### Seats

#### **⚠ WARNING**

##### Securing the Seats:

*Adjustable seats and seatbacks that are not securely latched are dangerous. In a sudden stop or collision, the seat or seatback could move, causing injury. Make sure the adjustable components of the seat are locked in place.*



#### **⚠ WARNING**

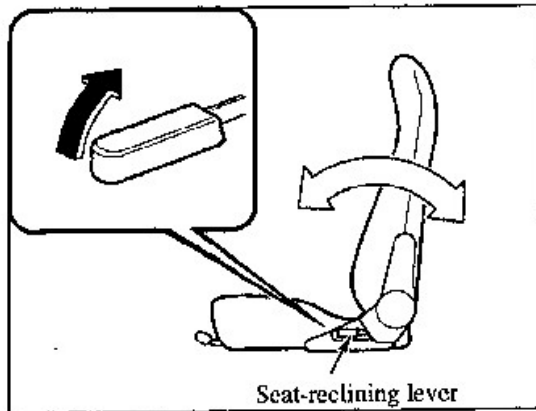
##### Driver's Seat Adjustment:

*Adjusting the driver's seat while the vehicle is moving is dangerous. The driver could lose control of the vehicle and have an accident. Adjust the driver's seat only when the vehicle is stopped.*

#### ■ Seat Slide

To move each individual seat forward or backward, raise the lever and slide the seat to the desired position.

## Seat Belt System



### ■ Seat Recline

To change each individual seatback angle, lean forward slightly while raising the lever. Then lean back to the desired position and release the lever.

Make sure the lever returns to its original position.

### **⚠ WARNING**

#### ***Reclining:***

***Sitting in a reclined position while the vehicle is moving is dangerous because you don't get the full protection from seat belts. During sudden braking or a collision, you can slide under the lap belt and suffer serious internal injuries. For maximum protection, sit well back and upright.***

Seat belts help to decrease the possibility of severe injury during accidents and sudden stops. Mazda recommends that the driver and all passengers always wear seat belts.

The passenger's seat belt retractor is designed to keep the lap/shoulder belt out of the way when not in use.

The driver's seat belt has no provisions for child-restraint systems and has only an emergency locking mode. The driver may wear it comfortably, and it will lock during a collision.

However, the passenger's seat lap/shoulder belt retractor operates in two modes, emergency locking mode and for child-restraint systems, automatic locking mode.

## Essential Safety Equipment

---

### Emergency locking mode

If the belt has fully retracted, it will always be in the emergency locking mode until you move it into automatic mode by pulling the belt all the way out to its full length. In the emergency locking mode, the belt remains comfortable on the occupant and the retractor will lock in position during a collision.

If the belt feels tight and hinders comfortable movement while the vehicle is stopped or in motion, you may be in the automatic locking mode because you have pulled the belt too far out. To return to the more comfortable emergency locking mode, wait until you can stop the vehicle in a safe area, retract the belt fully to convert it back to emergency locking mode and then again extend it around you.

### Automatic locking mode

Always use the automatic locking mode to keep the child-restraint system from shifting to an unsafe position in the event of an accident. To get the seat belt into the automatic locking mode, pull it all the way out and connect it as instructed on the child-restraint system. It will retract down to the child-restraint system and stay locked on it. See the section on child restraint (page 2-9).

## **WARNING**

### *Not Wearing Seat Belts:*

*Not wearing a seat belt is extremely dangerous. During a collision, occupants not wearing seat belts could hit someone or things inside the vehicle or even be thrown out of the vehicle. They could be seriously injured or even killed. In the same collision, occupants wearing seat belts would be much safer. Always wear your seat belt and make sure all occupants are properly restrained.*

**⚠ WARNING**

**Seat Belt Damaged During an Accident:**

*Using a damaged seat belt is dangerous. An accident could damage the belt webbing in use. The retractors and anchors could also be bent or broken. A damaged seat belt cannot provide adequate protection in a collision. Have an Authorized Mazda Dealer inspect all seat belt systems in use during an accident before they are used again.*

**⚠ WARNING**

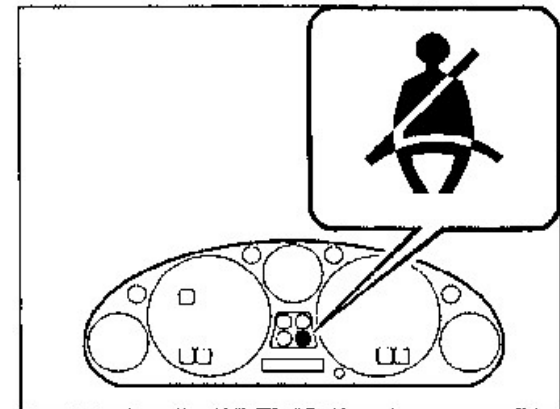
**Twisted Seat Belts:**

*Twisted seat belts can cause injury. In a collision, the full width of the belt isn't available to absorb the impact. This puts more force on the bones beneath the belt, which could break them or cause other serious injury or death. Don't wear twisted seat belts.*

**⚠ WARNING**

**One Belt, One Passenger:**

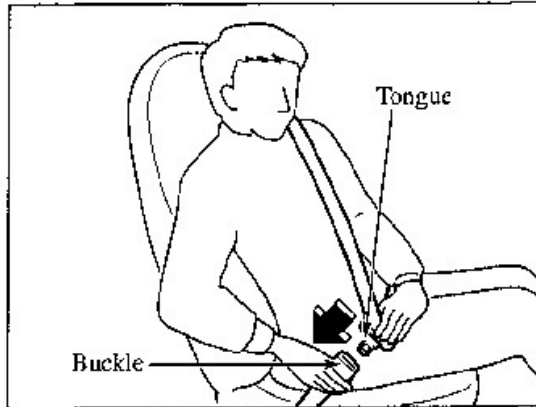
*Using one seat belt for more than one person at a time is dangerous. A seat belt used in this way can't spread the impact forces properly and the two passengers could be crushed together and seriously injured or even killed. Never use one belt for more than one person at a time.*



**■ Seat Belt Warning Light/Beep**

If the driver's seat belt is not fastened when the ignition switch is turned to the ON (II) position, a beep will sound for about 6 seconds and the seat belt warning light will remain on until the belt is fastened.

If the system does not operate correctly, consult an Authorized Mazda Dealer.



■ **Seat Belts**

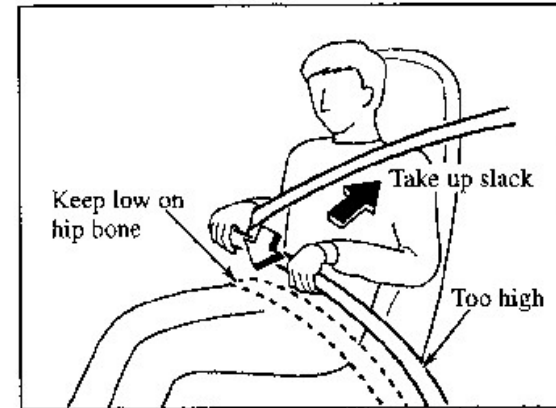
To fasten:

1. Grasp the buckle and tongue.
2. Slowly pull out the lap/shoulder belt.
3. Insert the tongue into the buckle until you hear a click.
4. Make sure the shoulder belt is snugly fitted against your body.

**⚠ WARNING**

***Positioning the Shoulder Portion of the Seat Belt:***

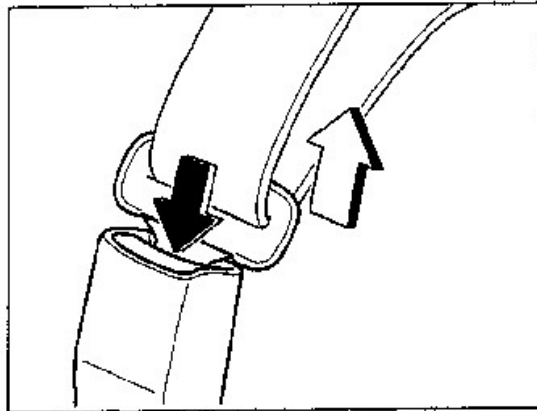
*Improper positioning of the shoulder portion of the seat belt is dangerous. An improperly positioned belt will provide little or no protection in a collision. Always make sure the shoulder portion of the seat belt is positioned across your shoulder and near your neck, but never under your arm on your neck, or on your upper arm.*



**⚠ WARNING**

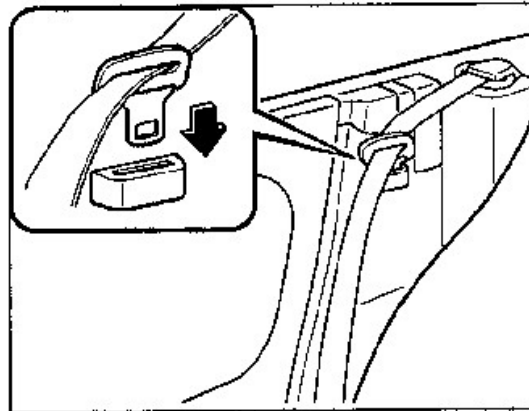
***Positioning the Lap Portion of the Seat Belt:***

*The lap portion of the seat belt worn too high can be dangerous. In a collision, this would concentrate the impact force directly on the abdominal area, causing serious injury. Wear the lap portion of the belt snugly and as low as possible.*



To unfasten:

Depress the button on the buckle.



To secure the passenger's seat belt when not in use, insert the seat belt tongue into the slot.

**NOTE**

If a belt does not fully retract, inspect it for kinks and twists.

**■ Seat Belt Extender**

If your seat belt is not long enough, even when fully extended, a seat belt extender may be available to you at no charge from your Authorized Mazda Dealer. This extender will be only for you and for the particular vehicle and seat. Even if it plugs into other seat belts, it may not hold in the critical moment of a crash. When ordering an extender, only order one that provides the necessary additional length to fasten the seat belt properly. Please contact your Authorized Mazda Dealer for more information.

 **WARNING**

*Unnecessary Use of an Extender:*  
*Using a seat belt extender when not necessary is dangerous. The seat belt will be too long and not fit properly. In an accident, the seat belt will not provide adequate protection and you could be seriously injured. Only use the extender when it is required to fasten the seat belt properly.*

 **WARNING**

*Using an Improper Extender:*  
*Using a seat belt extender that is for another person or a different vehicle or seat is dangerous. The seat belt will not provide adequate protection and the user could be seriously injured in an accident. Only use the extender provided for you and for the particular vehicle and seat. NEVER use the extender in a different vehicle or seat.*

 **WARNING**

*Using an Extender That is Too Long:*  
*Using an extender that is too long is dangerous. The seat belt will not fit properly. In an accident, the seat belt will not provide adequate protection and you could be seriously injured. Don't use the extender or choose one shorter in length if the distance between the extender's buckle and the center of the user's body is less than 6 inches.*



## Child Restraint

### ■ Pregnant Women

Pregnant women should wear seat belt assemblies as recommended by their doctors. The lap belt should be worn **SNUGLY AND AS LOW AS POSSIBLE.**

### ■ Child Restraint Precautions

#### **WARNING**

##### ***Holding a Child While the Vehicle is Moving:***

***Holding a child in your arms while the vehicle is moving is extremely dangerous. No matter how strong the person may be, he or she cannot hold onto a child in a sudden stop or collision and could result in serious injury or death to the child or other occupants. Always secure a child in a proper child-restraint system.***

#### **WARNING**

##### ***One Belt, One Passenger:***

***Using one seat belt for more than one person at a time is dangerous. A seat belt used in this way can't spread the impact forces properly and the two passengers could be crushed together and seriously injured or even killed. Never use one belt for more than one person at a time.***

**⚠ WARNING**

***Proper Size of Child-Restraint System:***

*For effective protection in vehicle accidents and sudden stops, a child must be properly restrained using a seat belt or child-restraint system depending on age and size. If not, the child could be seriously injured or even killed in an accident.*

**⚠ WARNING**

***Unattended Children and Pets:***

*Leaving a child or an animal unattended in a parked vehicle is dangerous. In hot weather, temperatures inside a vehicle can become high enough to cause brain damage or even death. Always take all children and animals with you or leave a responsible person with them.*

**⚠ CAUTION**

A seat belt or child-restraint system can become very hot in a closed vehicle during warm weather. To avoid burning yourself or a child, inspect either before using.

**▼ Small children**

You are required by law to use child-restraint system for children in the U.S. and Canada. Small children, generally those who are four years old or younger and who weigh under 40 lbs. (18 kg), riding in your vehicle must be protected by child-restraint systems made especially for children. Check your local and state or provincial laws for specific requirements regarding the safety of children riding in your vehicle.

**▼ Older children**

A child who has outgrown child-restraint systems should use seat belts, both lap and shoulder. If the shoulder belt crosses the neck or face, move the child closer to the center.

■ **Child-Restraint System**

A child-restraint system for a small child or baby must itself be properly secured on the seat with the seat belt. You must carefully consult the manufacture's instructions which accompany your child-restraint system.

To provide proper restraint, use a child-restraint system in accordance with the age and size of the child as recommended by the child-restraint system manufacturer.

 **WARNING**

**Manufacturer's Instructions for Child-Restraint System:**

***An unsecured child-restraint system is dangerous. In a sudden stop or a collision it could move causing serious injury or death to the child or other occupants.***

***Make sure the child-restraint system is properly secured in place according to the manufacturer's instructions.***

 **WARNING**

**Unsecured Child-Restraint System:**

***A child-restraint system that is not securely fastened down can be dangerous. In a sudden stop or collision, it can become a projectile and hit someone, causing serious injury. When not in use, remove it from the vehicle, put it in the luggage compartment or at least secure it with a seat belt.***

**⚠ WARNING**

***Child-Restraint Tether:***

*Using a child-restraint system that requires an tether is dangerous. Your Mazda doesn't have a child-restraint tether. The child-restraint system cannot be properly secured. In a collision, it could move and cause serious injury or even death to the child or someone else. Always use a child-restraint system designed for use without an tether.*

**■ Installing a Child-Restraint System**

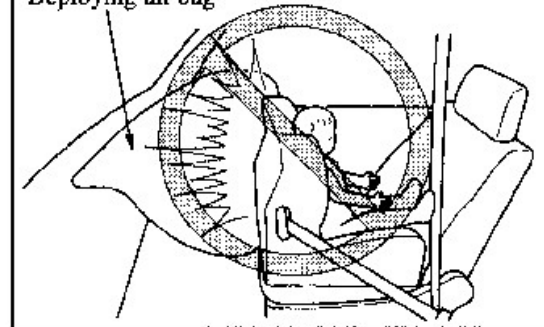
The passenger lap/shoulder belt can easily be converted into the automatic locking mode, which must be done to hold the child-restraint system.

Follow these instructions when installing a child-restraint system on the passenger's seat.

Before installing a rear-facing child-restraint system, the passenger air bag must be deactivated (page 2-16).

**Do not let this happen**

Deploying air bag



**NOTE**

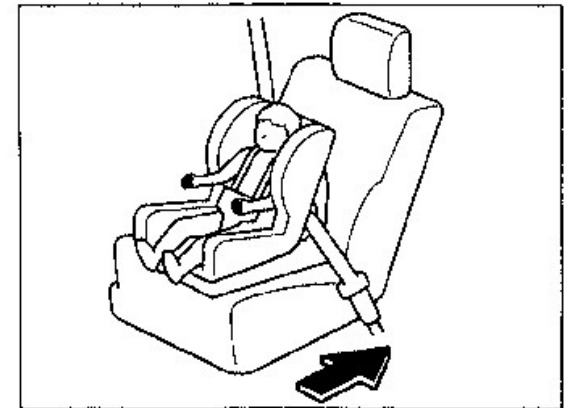
Before installing a child-restraint system, refer to "Air Bag and Children" (page 2-15) and "Passenger-Side Air Bag De-activation Switch" (page 2-16).

**⚠ WARNING**

***Rear-Facing Child-Restraint System:***  
*When a rear-facing child-restraint system is installed on the passenger's seat and the passenger side air bag de-activation switch is not in the OFF position, it is extremely dangerous. In an accident, the air bag could inflate and cause serious injuries or even death to the child in the rear-facing child-restraint system. When using a rear-facing child-restraint system, always set the passenger side air bag de-activation switch to OFF position.*

**⚠ WARNING**

***Manufacturer's Instructions for Child-Restraint System:***  
*An unsecured child-restraint system is dangerous. In a sudden stop or a collision it could move causing serious injury or death to the child or other occupants. Make sure the child-restraint system is properly secured in place according to the manufacturer's instructions.*



1. Slide the seat as far back as possible.

### Supplemental Restraint System

2. Secure the child-restraint system with the lap portion of the lap/shoulder belt. See the instructions on the child-restraint system for belt routing instructions.
3. To get the retractor into the automatic locking mode, pull the shoulder belt portion of the seat belt until the entire length of the belt is out of the retractor. Push the child-restraint system firmly into the vehicle seat. Be sure the belt retracts as snugly as possible. Clicking from the retractor will be heard during retraction if the system is in automatic locking mode. If the belt does not lock, repeat this step.
4. Inspect this function before each use of the child-restraint system. You should not be able to pull the shoulder belt out of the retractor while the system is in the automatic locking mode. When you remove the child-restraint system, be sure the belt fully retracts to return the system to emergency locking mode before occupants use the seat belts.

■ **The supplemental restraint system includes 2 air bags. They are located in the steering wheel and passenger side dashboard:**

In a front-end or near-front end impact, the air bag supplemental restraint system is designed to provide only supplemental protection for the driver and passenger. Seat belts must still be worn.

Without seat belt usage, the air bags cannot provide adequate protection during an accident. Seat belt usage is necessary to:

- Keep the passenger away from an inflating air bag.
- Reduce the possibility of injuries during an accident that is not designed for air bag inflation, such as roll-over or rear impact.
- Reduce the possibility of injuries in frontal collisions that are not severe enough to activate the air bag.
- Reduce the possibility of being thrown from your vehicle.
- Reduce the possibility of injuries to lower body and legs during an accident because the air bags allow no protection to these parts.
- Hold the driver in a position which allows better control of the vehicle.

**⚠ WARNING**

***Air Bags without Seat Belts:***  
*Depending only on the air bags for protection during an accident is dangerous. Alone, air bags may not prevent serious injuries. The appropriate air bags can be expected to inflate only during a frontal or near-frontal collision of at least moderate force. Vehicle occupants should always wear seat belts.*

■ **Air Bag and Children**

Small children, those under 40 lbs. (18 kg), should be protected by a child-restraint system (page 2-9).

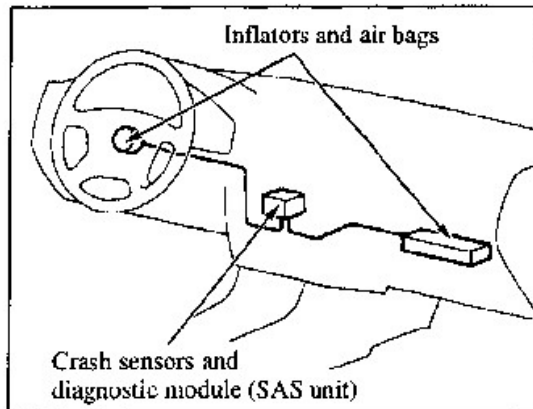
We have provided a de-activation switch that will disable passenger side air bag inflation. Do not switch off the passenger side air bag without reading the "Passenger Side Air Bag De-activation Switch" (page 2-16).

**⚠ WARNING**

***Rear-Facing Child-Restraint System:***  
*When a rear-facing child-restraint system is installed on the passenger's seat and the passenger side air bag de-activation switch is not in the OFF position, it is extremely dangerous. In an accident, the air bag could inflate and cause serious injuries or even death to the child in the rear-facing child-restraint system. When using a rear-facing child-restraint system, always set the passenger side air bag de-activation switch to OFF position.*

## Essential Safety Equipment

---



### ■ System Description

The supplemental restraint system has two basic subsystems:

- The air bag system with inflators and air bags.
- The electric system with crash sensors and diagnostic module.

The air bags are mounted in the center of the steering wheel and the passenger-side dashboard. They are out of sight until activated.

The passenger air bag has a passenger-side air bag de-activation switch located on the center console.

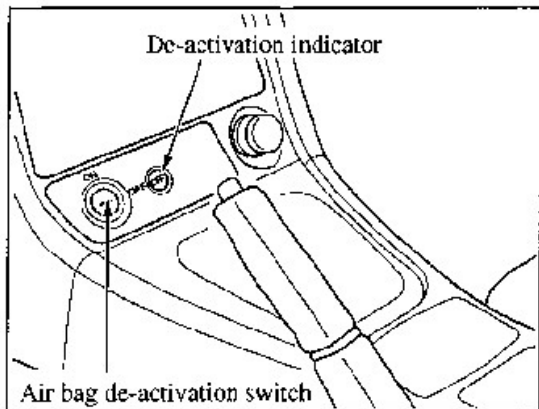
### ■ Passenger-Side Air Bag De-activation Switch

Your vehicle is equipped with a front passenger-side air bag de-activation switch. The switch is located in the center console. The switch must be used to deactivate the passenger air bag when the occupant of the front passenger seat fits into one of the following categories (as described in the request form for the air bag on-off switch, the appendix B to part 595 of National Highway Traffic Safety Administration [NHTSA]):

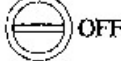

- Infants (less than one year old; for all types of restraint, but particularly the rear-facing child restraint.)
- Children aged 1 to 12
- People with certain medical conditions which, according to his/her physician, could be adversely affected by air-bag activation

For more government release information on air bag deactivation, contact your Authorized Mazda Dealer for the occupant categories as described in the request form for the air bag de-activation switch in the NHTSA rules. The factory installed air bag de-activation switch in your car only works for the passenger side air bag.





The air bag de-activation switch turns off the passenger-side air bag. Make sure the passenger side air bag deactivation switch is in the ON position except when a passenger fitting the previous categories occupies the front passenger seat.

Passenger Side Air Bag De-activation Switch	Passenger Air Bag Operation	Air Bag De-activation Indicator Light
OFF position ON  OFF	Deactivate	ON
ON position ON  OFF	Activate	OFF

**⚠ WARNING**

***Unnecessary Deactivation of Passenger Air Bag:***  
*Unnecessary deactivation of the front passenger air bag is dangerous. If turned off unnecessarily, the passenger will not receive the added protection of the air bag. Serious injuries or even death could occur. With the exception of passengers fitting the categories described in (page 2-16), do not turn the air bag de-activation switch to the OFF position.*

## Essential Safety Equipment

---

When the ignition switch is turned to the ON(II) position, the passenger-side air bag de-activation indicator light comes on for about 6 seconds.

If the passenger-side air bag de-activation switch is in the OFF position, the indicator light remains on to warn that the passenger air bag has been deactivated.

### NOTE

Have the passenger-side air bag de-activation switch inspected by an Authorized Mazda Dealer if any of these conditions occur:

- The indicator doesn't come on when the ignition switch is turned to the ON(II) position.
- The indicator doesn't remain on when the ignition switch is at ON(II) position and the passenger-side air bag de-activation switch is in the OFF position.
- The indicator remains on when the ignition switch is at the ON(II) position and the passenger-side air bag de-activation switch is in the ON position.

### ▼ To deactivate the passenger air bag

1. Insert the key into the switch.
2. Turn the key clockwise until the key points to OFF.
3. Remove the key.

 **WARNING**

**Leaving the Key in the  
Passenger-Side Air Bag  
De-activation Switch:**

*Unintentional deactivation of the passenger air bag is dangerous. In an accident, the front seat passenger will not be properly protected. Serious injuries or even death could occur. To avoid unintentional deactivation, always use the same key to operate the passenger-side air bag de-activation switch and the ignition switch, that way you won't leave the key in the passenger-side air bag de-activation switch.*

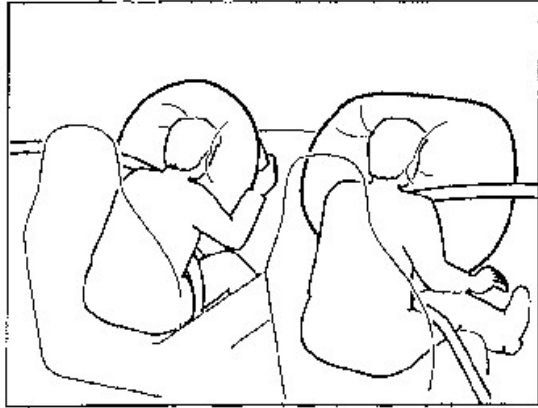
4. Make sure the air bag de-activation indicator light remains on when the ignition is at ON(II) position.

The passenger air bag will remain deactivated until the passenger-side air bag de-activation switch is turned to the ON position.

▼ **To activate the passenger air bag**

1. Insert the key into the switch.
2. Turn the key counterclockwise until the key points to ON.
3. Remove the key.
4. Make sure the air bag de-activation indicator light goes off after 6 seconds when the ignition switch is turned to the ON(II) position.

## Essential Safety Equipment



### ■ How the Air Bags Work

When air bag crash sensors detect a frontal impact of greater than moderate force, an electrical current is sent to the inflators. Nitrogen and argon gases are produced to inflate the air bags. After the inflation, the air bags quickly deflate.

The air bags will function only once. After that, **the air bags will not work again and must be replaced.**

Only an Authorized Mazda Dealer can replace the systems.

### **⚠ WARNING**

#### ***Seating Position with Air Bags:***

***Sitting too close to the air bag storage compartments or placing hands or feet on them is extremely dangerous. Air bags inflate with great force and speed.***

***Serious injuries could occur if someone is too close. The driver should always hold onto only the rim of the steering wheel. The passenger on the right should keep both feet on the floor. Seat occupants should adjust their seats as far back as possible and always sit upright against the seatbacks with seat belts worn properly.***

**NOTE**

When an air bag deploys, a loud inflation noise can be heard and some smoke will be released. Neither is likely to cause injury.

**⚠ WARNING**

**Hot Air Bag Inflators:**

*Hot air bag inflators are dangerous. Immediately after inflation, the inflators in the steering wheel or the dashboard are very hot. You could get burned. Don't touch the internal components of the air bag storage areas after the bags have inflated.*

**⚠ WARNING**

**Modification of the Supplemental Restraint System:**

*Modifying the components or wiring of the supplemental restraint system is dangerous. You could accidentally activate it or make it inoperable. Don't make any modifications to the supplemental restraint system. This includes installing trim, badges, or anything else over the air bag storage areas. It also includes installing extra electric equipment on or near system components or wiring.*

**⚠ WARNING**

**Installation of Front-End Equipment:**

*Installation of front-end equipment, such as a frontal protection bar (kangaroo bar, bull bar, push bar, etc.), snowplow, or winches, is dangerous. The air bag crash sensor system could be affected. This could cause air bags to inflate unexpectedly, or it could prevent the air bags from inflating during an accident. Front occupants could be seriously injured. Never install any front-end equipment to your vehicle.*

**⚠ WARNING**

**Air Bag Storage Areas:**

*Attaching an object to an air bag storage area or placing something in front of it is dangerous. In an accident, the object could interfere with air bag inflation and injure the occupants.*

*Always keep the air bag storage areas free of objects.*

**⚠ WARNING**

**Damaged Air Bag Sensors:**

*Driving with damaged air bag sensors is dangerous. A collision, even one not strong enough to inflate the air bags, could damage the sensors. If there was a subsequent collision, a damaged sensor would not inflate the air bags. Always have an Authorized Mazda Dealer inspect the supplemental restraint systems after a collision.*

**⚠ WARNING**

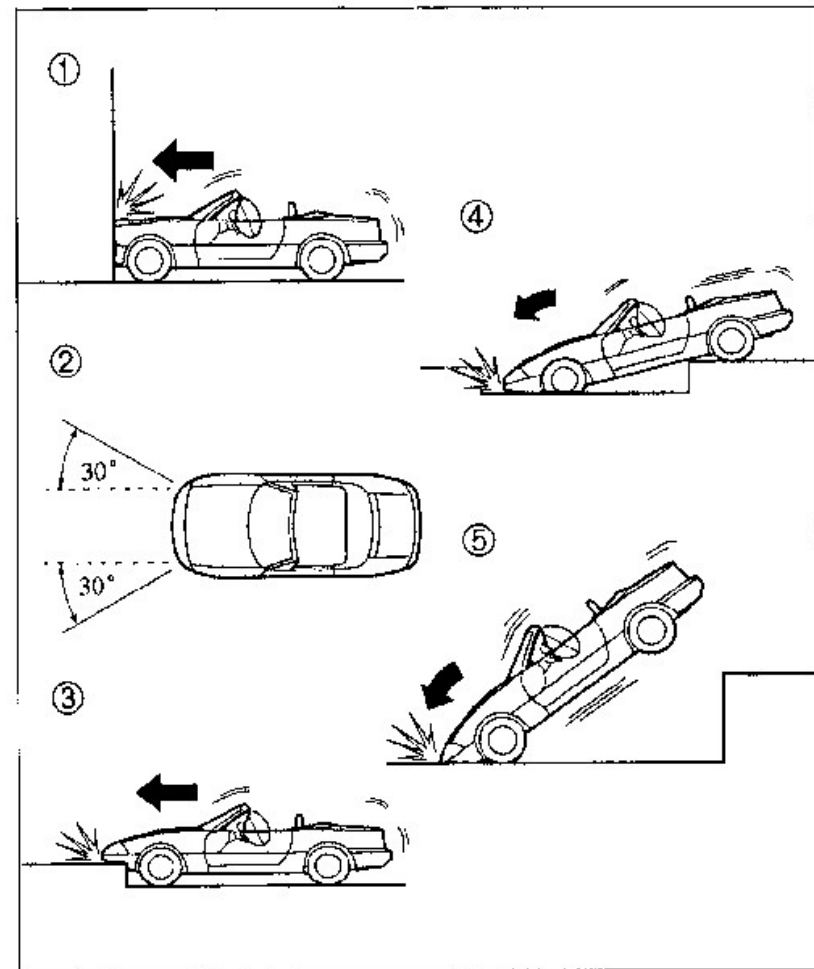
**Suspension Adjustment:**

*Adjusting the vehicle suspension is dangerous. If the vehicle's height or the suspension's damping is changed, the vehicle will be unable to accurately detect a collision resulting in incorrect or unexpected air bag deployment and the possibility of serious injuries.*

■ Air Bag Activation

A greater than moderate impact will cause the air bags to inflate in the following cases:

- ① Hitting a solid wall straight on at greater than about 14 mph (22 km/h).
- ② Frontal impact within about a 30 degree range from head on to the vehicle.
- ③ Hitting a curb, pavement edge or hard object.
- ④ Driving into a big hole or hitting the far side of a hole.
- ⑤ Landing hard or the vehicle falling.



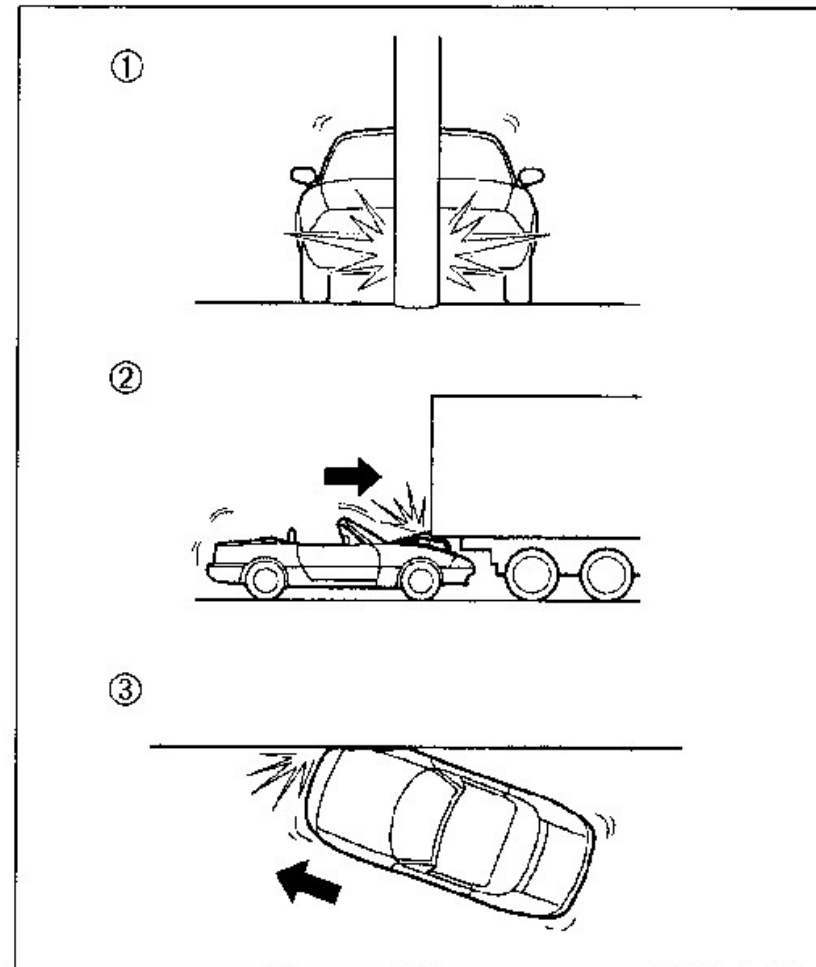
## Essential Safety Equipment

---

### ■ Limitations to Air Bag Activation

Depending of the severity of impact, the air bags may not inflate in the following cases:

- ① Impacts involving trees or poles cause severe cosmetic damage but may not have enough impact to activate the air bag.
- ② Rear-ending or running under a truck's tail gate may not provide the stopping force necessary for air bag deployment.
- ③ Frontal offset impact to the vehicle may not provide the stopping force necessary for air bag deployment.

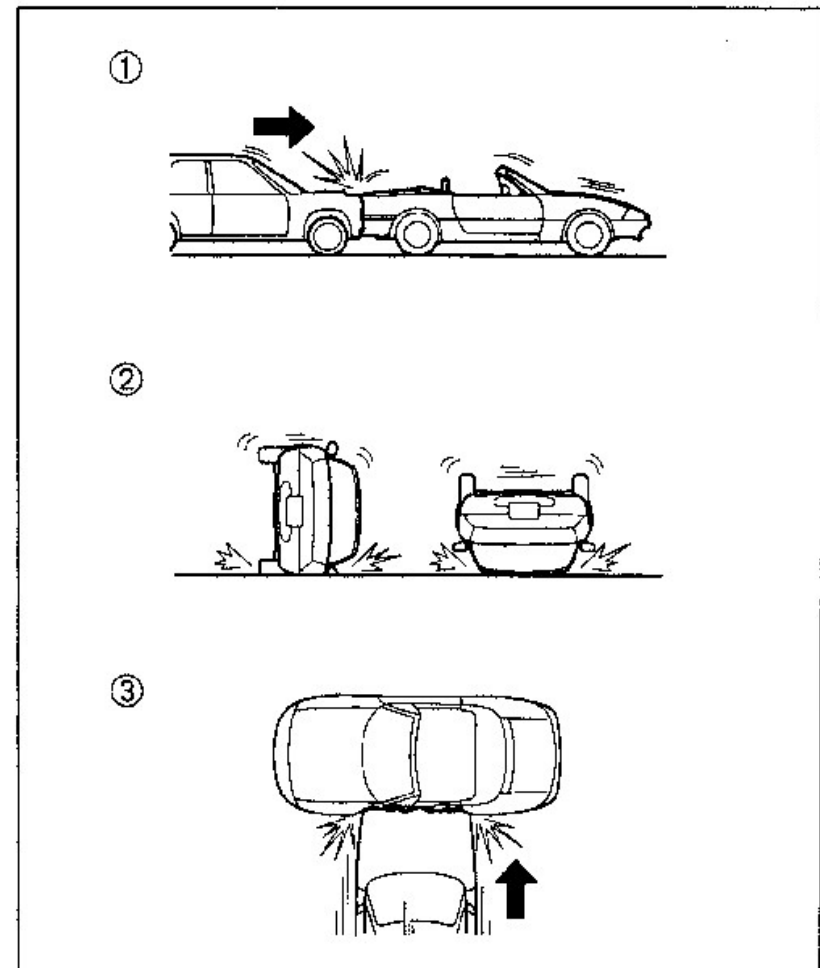




■ Non-Activation of Air Bags

Air bags will not normally inflate in the following cases:

- ① Collision from the rear.
- ② Vehicle roll-over.
- ③ Impact to the side.



## Essential Safety Equipment

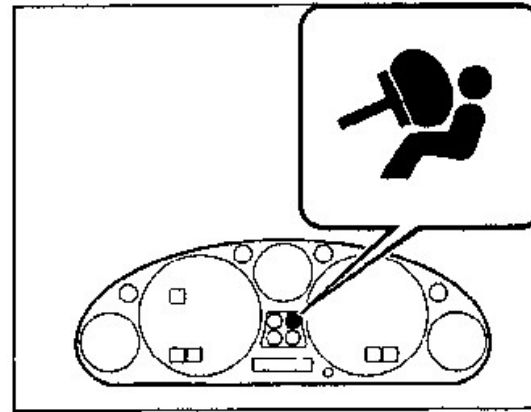
---

### ■ Constant Monitoring

The following components of the supplemental restraint systems are monitored by a diagnostic system:

- SAS unit
- Air bag modules
- Related wiring
- Passenger-side air bag de-activation switch

A diagnostic module continuously monitors the systems' readiness. This begins when the ignition switch is turned to the ON(II) position and continues while the vehicle is being driven.



### ▼ Supplemental restraint system warning light

If the supplemental restraint system is OK, the SRS warning light comes on when the ignition switch is turned to the ON(II) position or after the engine is cranked. After about 6 seconds it goes out.

A system malfunction is indicated when the SRS warning light constantly flashes, stays on or doesn't come on at all. If any of these occur, consult an Authorized Mazda Dealer as soon as possible. The system may not work in an accident.

**⚠ WARNING**

**Self-Servicing the Supplemental Restraint System:**

*Self-servicing or tampering with the supplemental restraint system is dangerous. An air bag could accidentally activate or become disabled. This could cause serious injuries. Never tamper with the supplemental restraint system and always have an Authorized Mazda Dealer perform all servicing and repairs.*

**⚠ WARNING**

**Removing Interior Parts:**

*Removing the front dashboard, or the steering wheel or parts containing air bag sensors is dangerous. These parts contain air bags. The air bag could accidentally activate and cause serious injuries. Always have an Authorized Mazda Dealer remove these parts.*

**⚠ WARNING**

**Air Bag Disposal:**

*Improper disposal of an air bag or a vehicle with live air bags in it can be extremely dangerous. Unless all safety procedures are followed, injury can result. Ask an Authorized Mazda Dealer how to safely dispose of an air bag or how to scrap an air bag equipped vehicle.*

## Essential Safety Equipment

---

### ■ Maintenance

The supplemental restraint system is maintenance-free. But if any of the following occurs, take your vehicle to an Authorized Mazda Dealer as soon as possible:

- The supplemental restraint system warning light flashes.
- The supplemental restraint system warning light stays on.
- The supplemental restraint system warning light stays off when the ignition switch is turned to the ON(II) position.
- Air bags inflate

NOTE
Should you sell your Mazda, we urge you to tell the new owner of its supplemental restraint system and that familiarization with all instructions about it, from the Owner's Manual, is important.